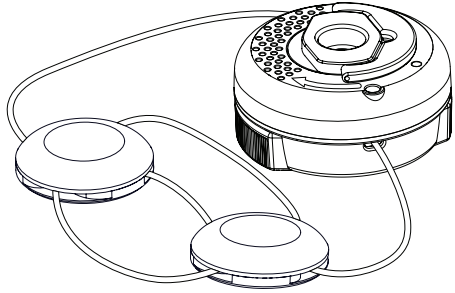
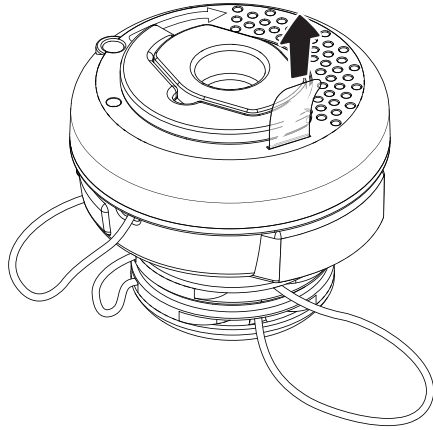


# INVUE®

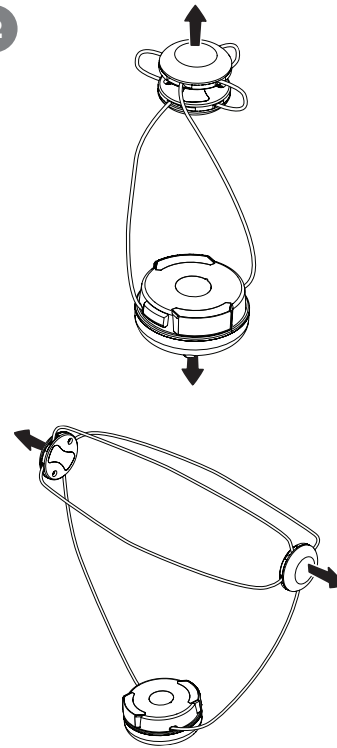
## IR Package Wrap



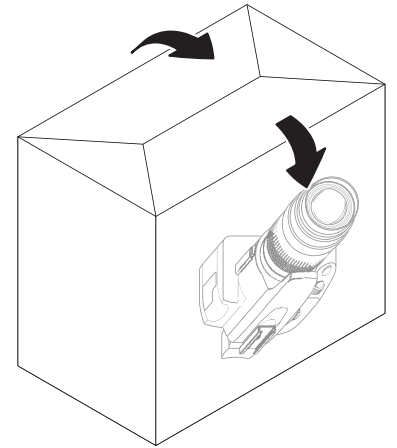
**1** Installation  
Pull tab out.



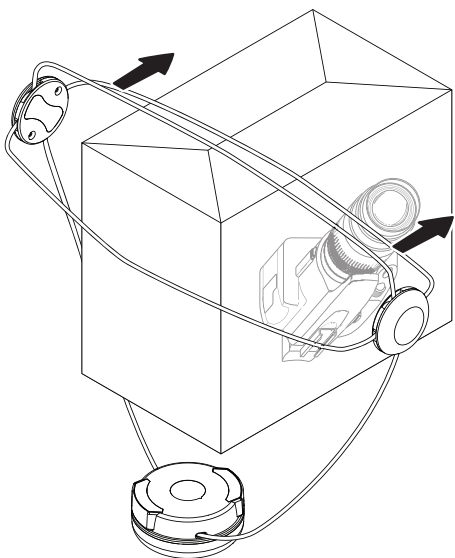
**2**



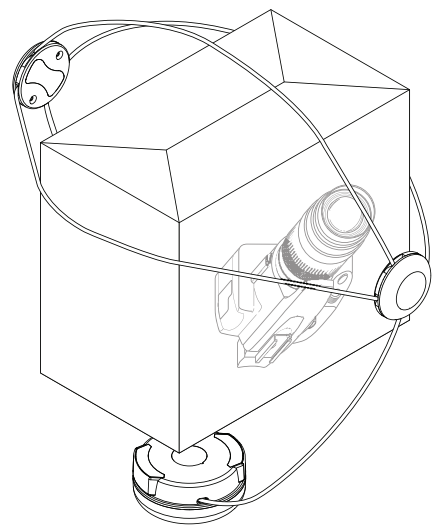
**3** Flip package upside down.



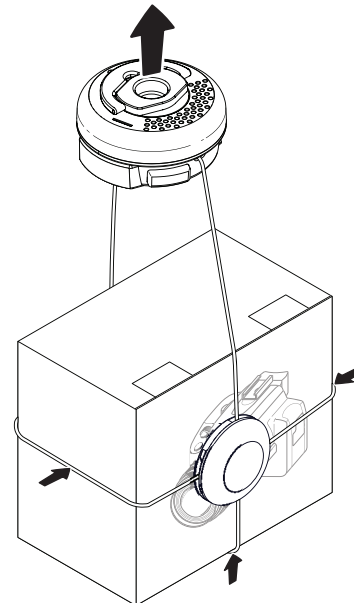
**4a**



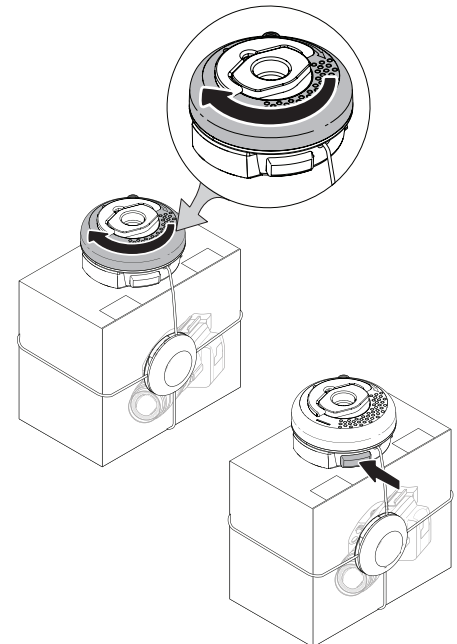
**4b**



**5** Flip package right side up and pull to tighten wrap around package.



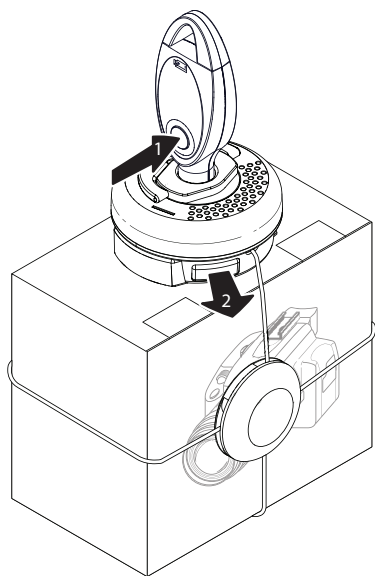
**6** Turn clockwise to fully tighten wrap on package and push in latch to lock.



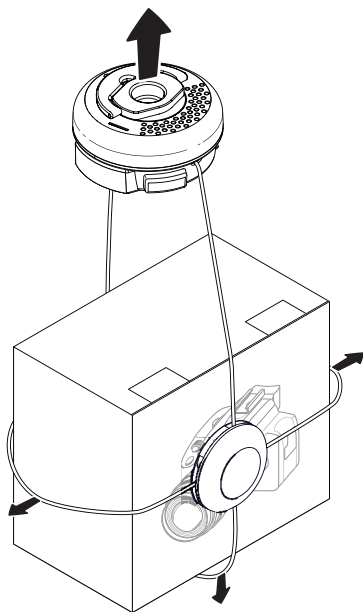
1

**Removal**

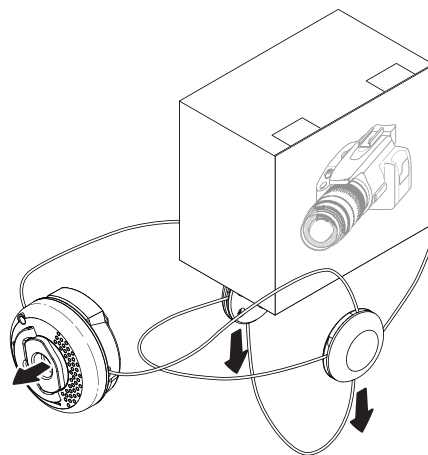
Place IR2 key onto IR lens and press button once to unlock wrap.



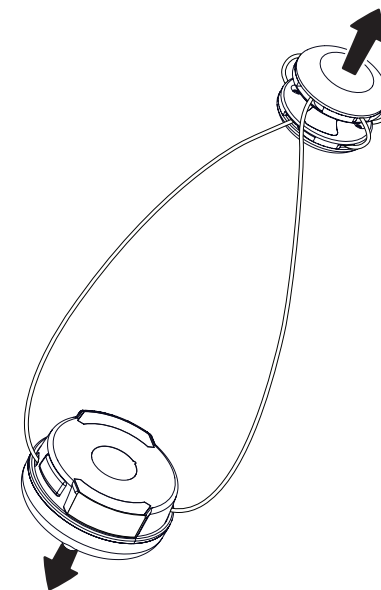
2



3



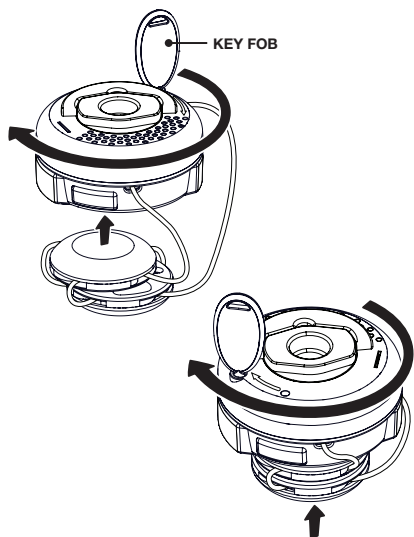
4



5

Turn key fob clockwise to reel in cord.

*Note: For larger IR Package Wraps, do not force cable rewind down to medallions. There will be several inches of cable between housing and medallions.*



SD0277 Rev3 08/17/15

**invue**

[www.invuesecurity.com](http://www.invuesecurity.com)

NA / LATAM // 704.752.6513 • 888.55.INVUE

EMEA // +31.23.8900150

APAC // +852.3127.6811

© 2015 InVue Security Products Inc. All rights reserved.  
InVue is a registered trademark of InVue Security Products.