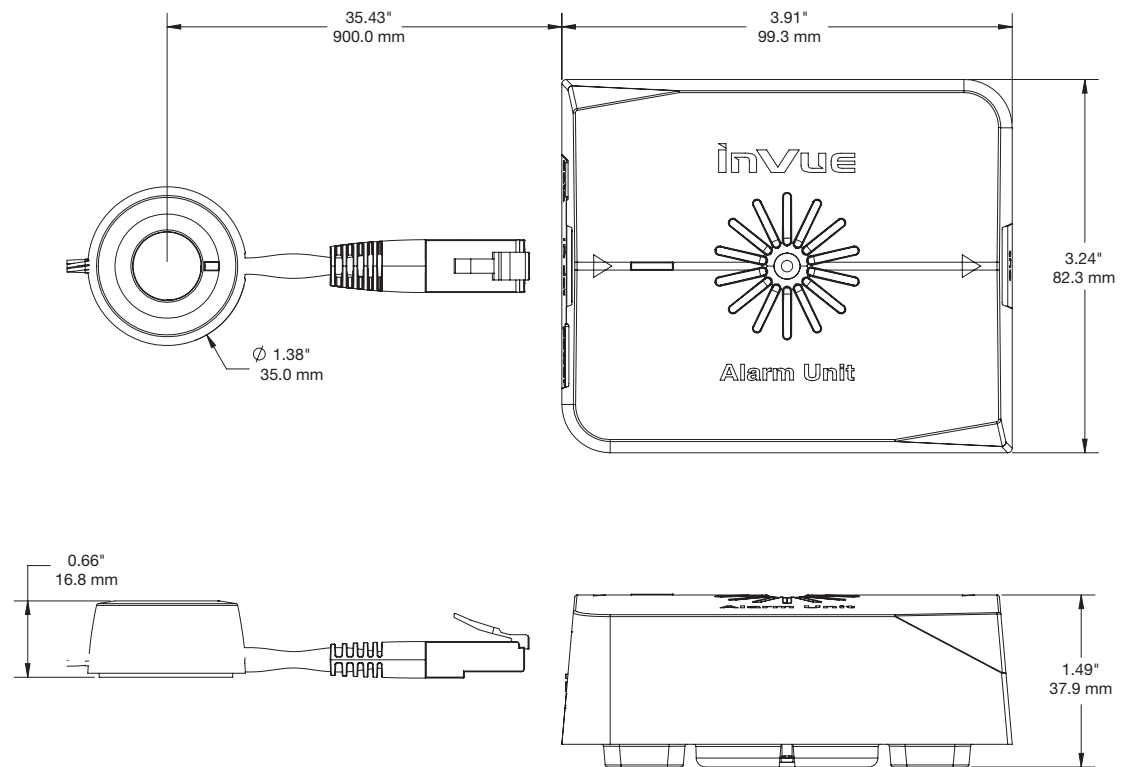


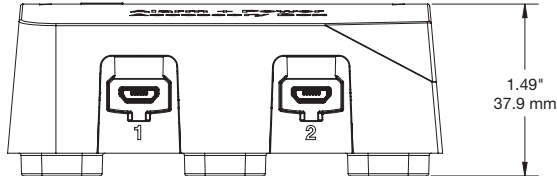
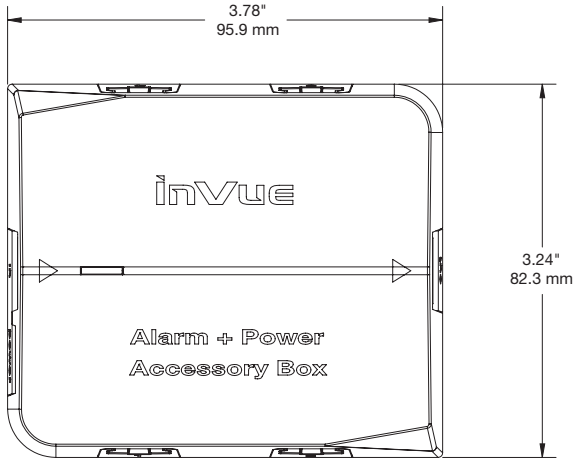
SPECIFICATIONS

Alarm Unit Box (DKGU01-B / DKGU02-B):



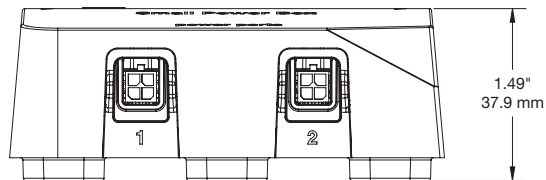
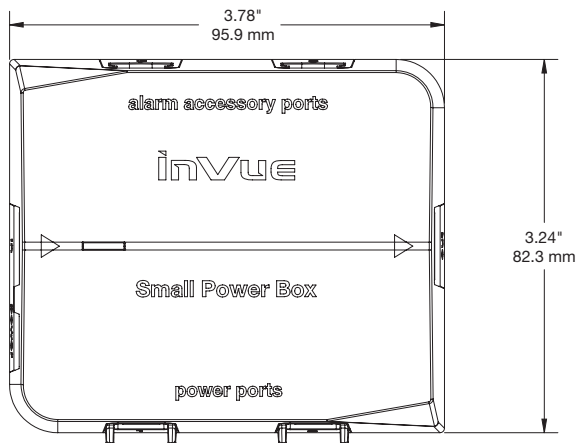
SPECIFICATIONS

Alarm + Power Accessory Box 4-port (DKPW04-B):



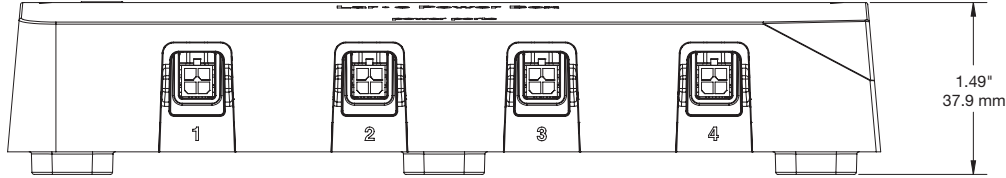
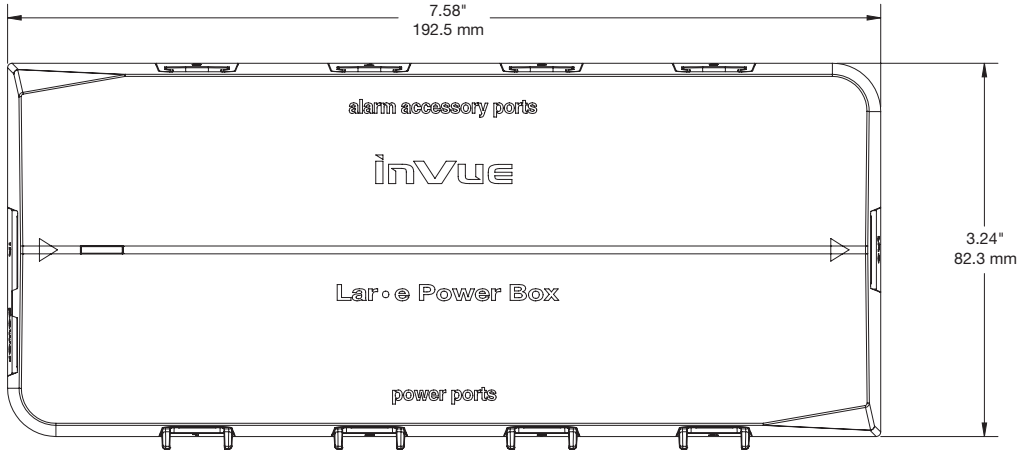
SPECIFICATIONS

Small Power Box 2-port (DKPB02-B):



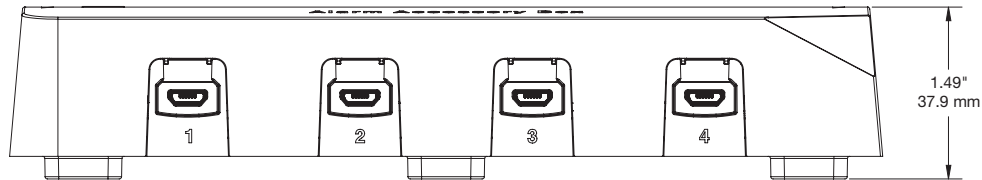
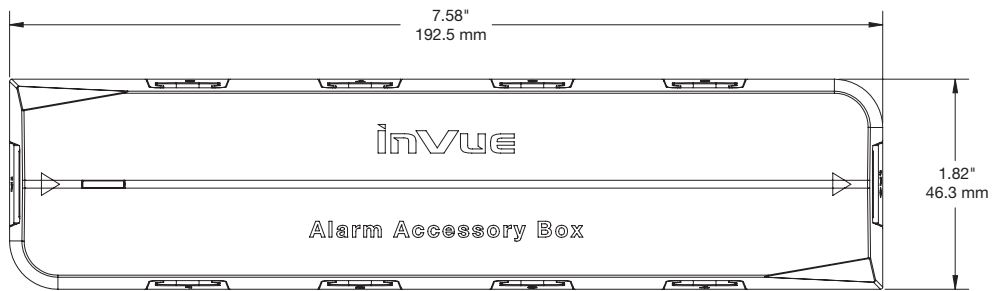
SPECIFICATIONS

Large Power Box 4-port (DKPB04-B):

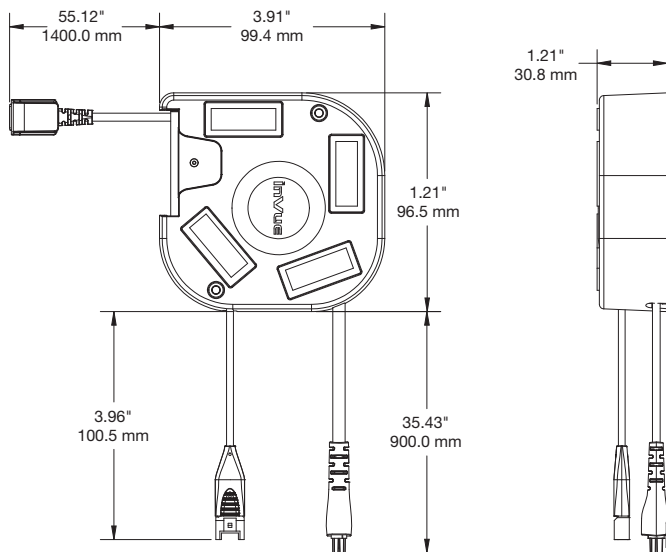


SPECIFICATIONS

Alarm Accessory Box 8-port (DKPX08-B):

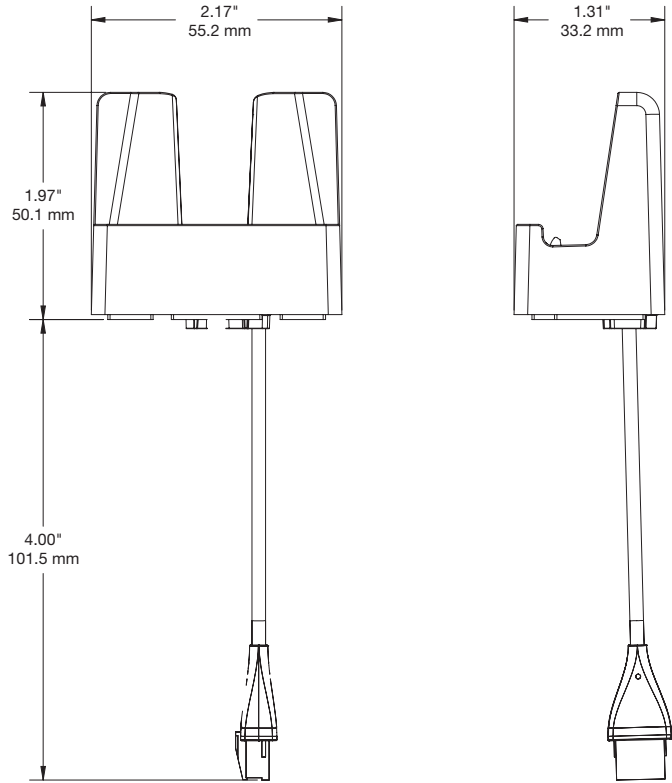


S2865 Recoiler (DKDQ300):



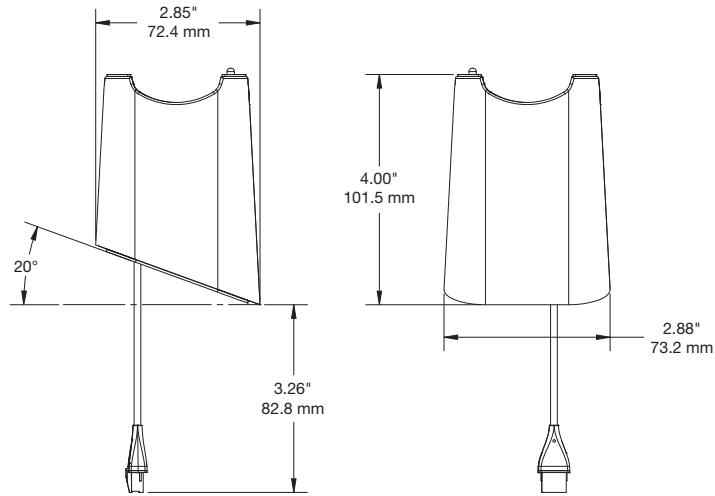
SPECIFICATIONS

S2865 Handheld Stand (DKHS100):



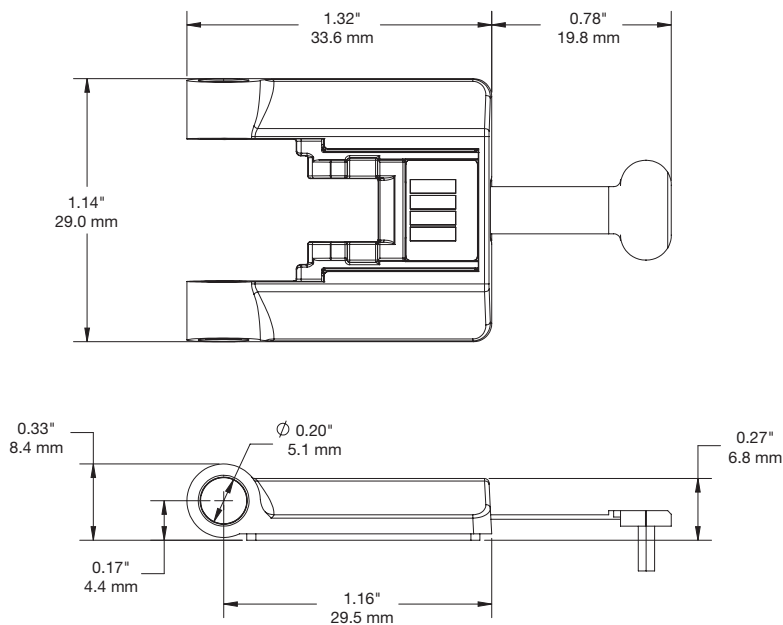
SPECIFICATIONS

S2865 Tablet Stand DKTS100):



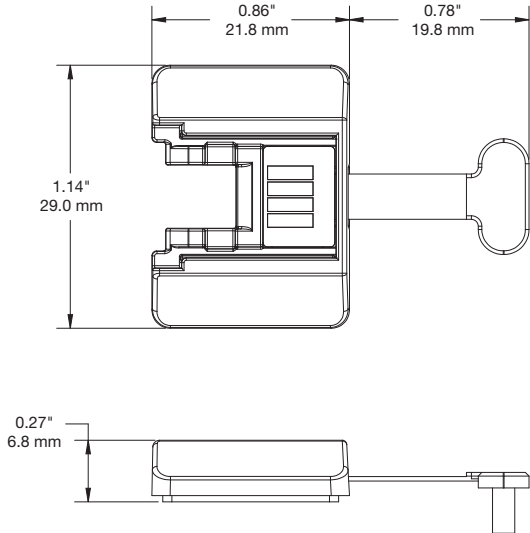
SPECIFICATIONS

S2865 ULP Sensor Micro USB with Arm Slot (DKHR200) &
S2865 ULP Sensor USB Type C with Arm Slot (DKHR201):

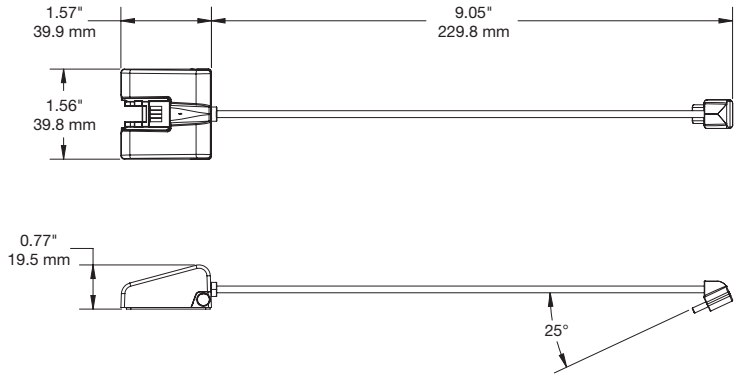


SPECIFICATIONS

S2865 ULP Sensor USB Type C (DKHR203):

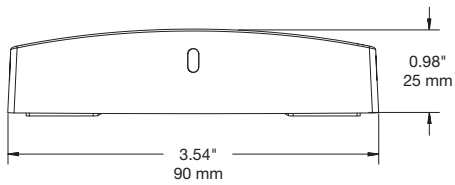
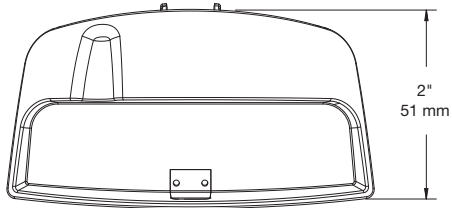


S2865 PD Tablet Sensor USB Type C (DKTR201):

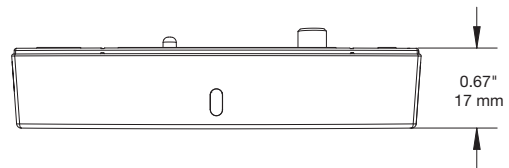
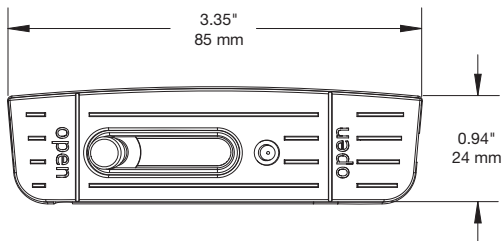


SPECIFICATIONS

S2800 Camera Stand (DNCS00):

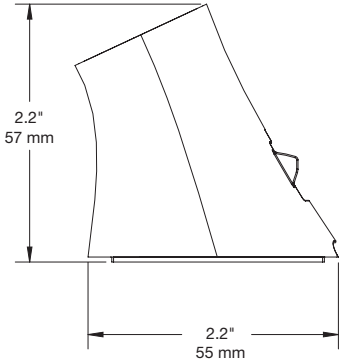


S2800 Camera Sensor (DNCR00):

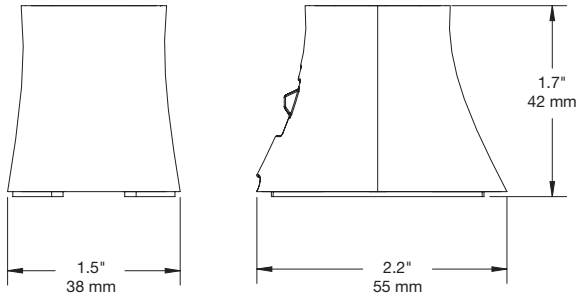


SPECIFICATIONS

S2800 Handheld and Tablet Angled Stand (DNDS11):

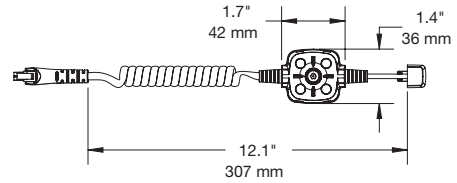
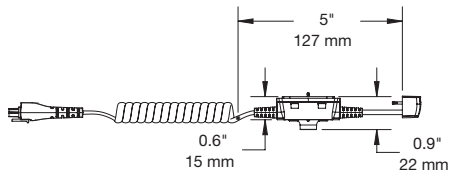


S2800 Handheld and Tablet Flat Stand (DNDS22):

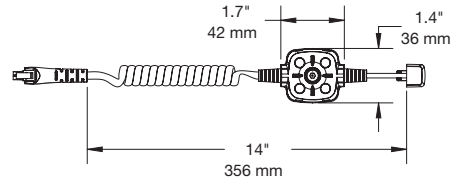
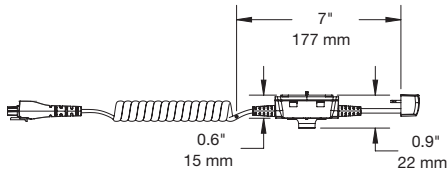


SPECIFICATIONS

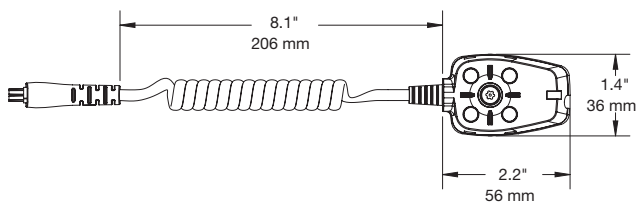
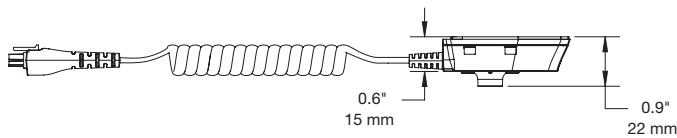
S2800 Handheld Lightning Sensor (DNHR13):



S2800 Tablet Lightning Sensor (DNTR13):

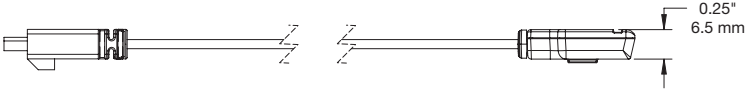
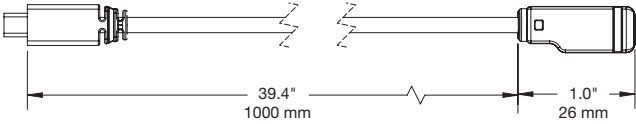


S2800 Universal Tablet Sensor (DNTR14):



SPECIFICATIONS

S2800 Digital Signage Trigger (DNGY11):



PRODUCT ORDERING

ORDER CODE	DESCRIPTION
------------	-------------

S2865 SENSORS

DKHR200-W	S2865 ULP Sensor Micro USB w/ Arm Slot - White
DKHR200-B	S2865 ULP Sensor Micro USB w/ Arm Slot - Black
DKHR201-W	S2865 ULP Sensor USB Type C w/ Arm Slot- White
DKHR201-B	S2865 ULP Sensor USB Type C w/ Arm Slot - Black
DKHR202-W	S2865 HH Lightning Sensor - White
DKHR202-B	S2865 HH Lightning Sensor - Black
DKHR203-W	S2865 ULP Sensor USB Type C - White
DKTR203-W	S2865 ULP Tablet Sensor Micro USB - White
DKTR204-W	S2865 ULP Tablet Sensor USB Type C - White
DKTR201-W	S2865 PD Tablet Sensor USB Type C - White
DKTR201-B	S2865 PD Tablet Sensor USB Type C - Black
DKTR200-B	S2865 PD Tablet Sensor Micro USB - Black
DKTR202-W	S2865 Tablet Lightning Sensor - White
DKTR202-B	S2865 Tablet Lightning Sensor - Black

S2865 STANDS

DKHS100-W	S2865 HH Stand - Gold LED - White
DKHS100-B	S2865 HH Stand - Gold LED - Black
DKHS101-W	S2865 HH Stand - Blue LED - White
DKTS100-W	S2865 Tablet Stand - Gold LED - White
DKTS100-B	S2865 Tablet Stand - Gold LED - Black
DKTS101-W	S2865 Tablet Stand - Blue LED - White
DKDQ300	S2865 Recoiler

S2865 ALARM UNITS & POWER BOXES

DKGU01-B	S2865 Alarm Unit Box IR Gold LED - White
DKGU02-B	S2865 Alarm Unit Box IR Blue LED - White
DKPW04-B	S2865 Alarm + Power Accessory Box 4-port - Black
DKPB02-B	S2865 Small Power Box 2-port - Black
DKPB04-B	S2865 Large Power Box 4-port - Black
DKPX08-B	S2865 Alarm Accessory Box 8-port - Black

*Black sensors and stand are build to order (BTO) and subject to minimum order quantities



PRODUCT ORDERING

ORDER CODE	DESCRIPTION
S2800 SENSORS	
DNCR00W	S2800 Camera Sensor - White
DNCR00B	S2800 Camera Sensor - Black
DNCR01W	S2800 Camera DSLR Sensor - White
DNCR01B	S2800 Camera DSLR Sensor - Black
DNLR00W	S2800 Sensor USB-A - White
DNLR00B	S2800 Sensor USB-A - Black
DNLR01W	S2800 Bar Sensor - White
DNLR01B	S2800 Bar Sensor - Black
DNGR11W	S2800 Flex Sensor - White
DNGR11B	S2800 Flex Sensor - Black
DNL203-W	S2800 Laptop/Tablet Power Injected Type C Sensor - White
DNL203-B	S2800 Laptop/Tablet Power Injected Type C Sensor - Black
DNHR13W	S2800 Handheld Exposed Sensor Bracket Slot Apple Lightning - White
DNTR13W	S2800 Tablet Exposed Sensor Bracket Slot Apple Lightning - White
DNTR14W	S2800 Tablet Sensor w/ Power Port - White
DNTR14B	S2800 Tablet Sensor Micro USB - Black
DNAR35W	Samsung VR4 Sensor/Stand
DNH216W	Low Profile Type C 3A Sensor
S2800 STANDS	
DNCS00W	S2800 Camera Stand - White
DNCS00B	S2800 Camera Stand - Black
DNDS11W	S2800 Tablet and Handheld Stand Angled Stand - Perfect Placement - White
DNDS11B	S2800 Tablet and Handheld Stand Angled Stand - Perfect Placement - Black
DNDS22W	S2800 Tablet and Handheld Stand Flat Stand - Perfect Placement - White
DNDS22B	S2800 Tablet and Handheld Stand Flat Stand - Perfect Placement - Black
DNAS31	S2800 Stylus Cup Holder

**Black sensors and stand are build to order (BTO) and subject to minimum order quantities*



PRODUCT ORDERING

ORDER CODE	DESCRIPTION
------------	-------------

ACCESSORIES

DNPZ11W	S2800 Replacement Ethernet Cable SB-SB Link - White
DNPZ00W	S2800 Power Extender - White
DNPZ00B	S2800 Power Extender - Black
DNLZ11B	S2800 USB-A Replacement Bracket
ZA2500W	Zips Camera Lens Support Stand - White
ZA2500B	Zips Camera Lens Support Stand - Black
MP254	Removal Tool
AF6313	Multi Tool
DNGY11B	S2800 Digital Signage Trigger

REPLACEMENT ADHESIVES

ADH2019	S2800 Camera/LTO3 Bar Sensor Replacement PSA
ADH2056	S2800 Tablet & Handheld Stand Replacement PSA
ADH2036	S2800 Power Extender Replacement Adhesive
ADH2037	S2800 IR Dot Replacement Adhesive
ADH2006	Small Solid Round Adhesives
ADH2014	Replacement Adhesive for Flex Sensor
ADH2040	S2800 Alarm/Power Boxes Replacement PSA
ADH2057	S2800 Bar Sensor Replacement PSA, 2 per
ADH2058	S2800 Tablet & Handheld Flat/Angled Stand Replacement PSA
ADH2059	S2800 Tablet Sensor w/ Power Port Replacement PSA
ADH2060	S2800 Exposed Tablet & Handheld Sensors Replacement PSA
ADH2040	S2800 Alarm/Power Boxes Replacement PSA
ADH2053	S2800 Stylus Cup Replacement PSA
ADH2027	Stylus Sensor Adhesive
ADH2179	S2865 Adhesive Kit HH Sensor, 8 pack
ADH2178	S2865 Adhesive Kit Tablet Sensor, 8 pack
ADH2177	S2865 Adhesive Kit HH Stand, 8 pack
ADH2176	S2865 Adhesive Kit Tablet Stand, 8 pack



PRODUCT ORDERING

ORDER CODE	DESCRIPTION
POWER SUPPLIES	
SNYP00B	S2865/S2800 Power Supply 18V - US
SNYP01B	S2865/S2800 Power Supply 18V - EU
SNYP02B	S2865/S2800 Power Supply 18V - UK
SNYP03B	S2865/S2800 Power Supply 18V - AUS
PS567-US	S2865/S2800 Power Supply 24V - US
PS567-UK	S2865/S2800 Power Supply 24V - UK
PS567-EU	S2865/S2800 Power Supply 24V - EU
PS567-AUS	S2865/S2800 Power Supply 24V - AUS
PS567-JPN	S2865/S2800 Power Supply 24V - JPN

invue.com

©2022 InVue Security Products. No endorsement of InVue products has been made by any of the manufacturers of the products shown. Product is sold pursuant to InVue's warranty which can be found at www.invue.com/warranty.

THE AMERICAS 704.752.6513 • 888.55.INVUE
EUROPE, MIDDLE EAST & AFRICA +31.23.8900150
ASIA PACIFIC +852.3127.6811

